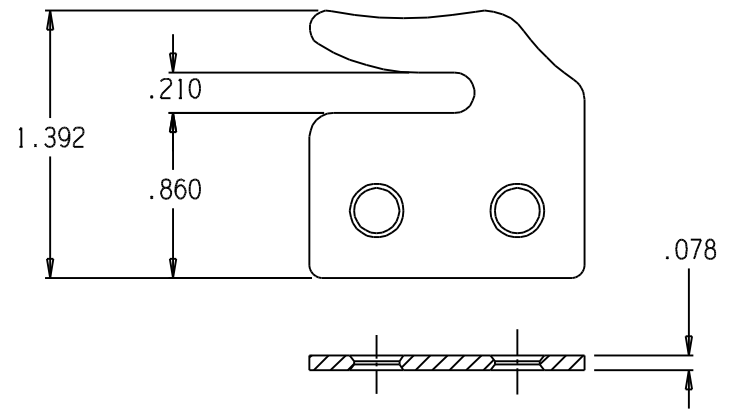
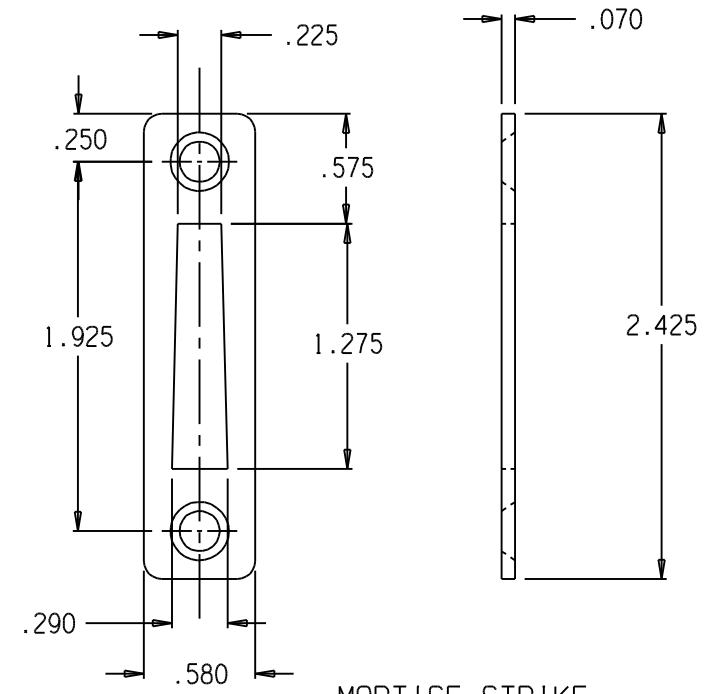


LATCH
MATERIAL: DIE CAST ZINC, US3



RIM STRIKE
MATERIAL: STEEL, US3



MORTISE STRIKE
MATERIAL: STEEL, US3

PRODUCT IS SUPPLIED WITH (6) #6 X 3/4, FLAT HEAD SCREWS.

7077 CASEMENT FASTENER