



Direct-To-Stud

DTS6032FR

60" x 32" [1524 mm x 813 mm]

Direct-To-Stud, Three-Piece Shower System



Features

- Durable, High Gloss, Crystalline Capped Polystyrene [HIPS] Wall Construction Provides Solid Look and Feel, Wall Insulation and Sound Deadening
- Backside Foam Insulation is Fire Rated for Flame Spread and Smoke Developed Indexes [ASTM E162, ASTM E662]
- Modular, Clean, One-Piece Appearance
- State of the Art, Tounge-and-Groove "Quick Klip" Panel - Creates Locking, Leak Resistant System
- Fits Any Standard 60" x 32" [1524 mm x 813 mm] Flanged Bath
- Includes All Necessary Hardware for Installation
- Include 3½ oz. Tube of Silicone to use as Seam Sealer [Use is Optional]
- Available in White, Bone and Biscuit
- Limited Five Year Warranty



Model DTS6032 shown in White with 2610R Bath

Model

Description

DTS6032FR 60" x 32" [1524 mm x 813 mm] Direct-to-stud, high impact polystyrene three-piece shower system. Includes "Quick Klip" panel locking system. Less bath and shower door.



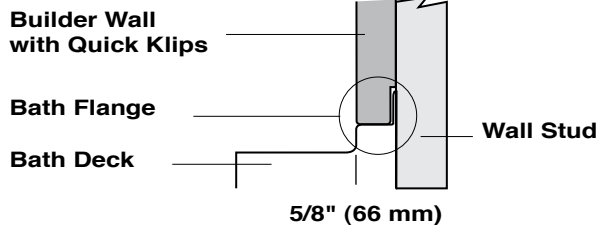
ASTM E162
ASTM E662

LIMITED



WARRANTY

Builder Wall Installation Detail



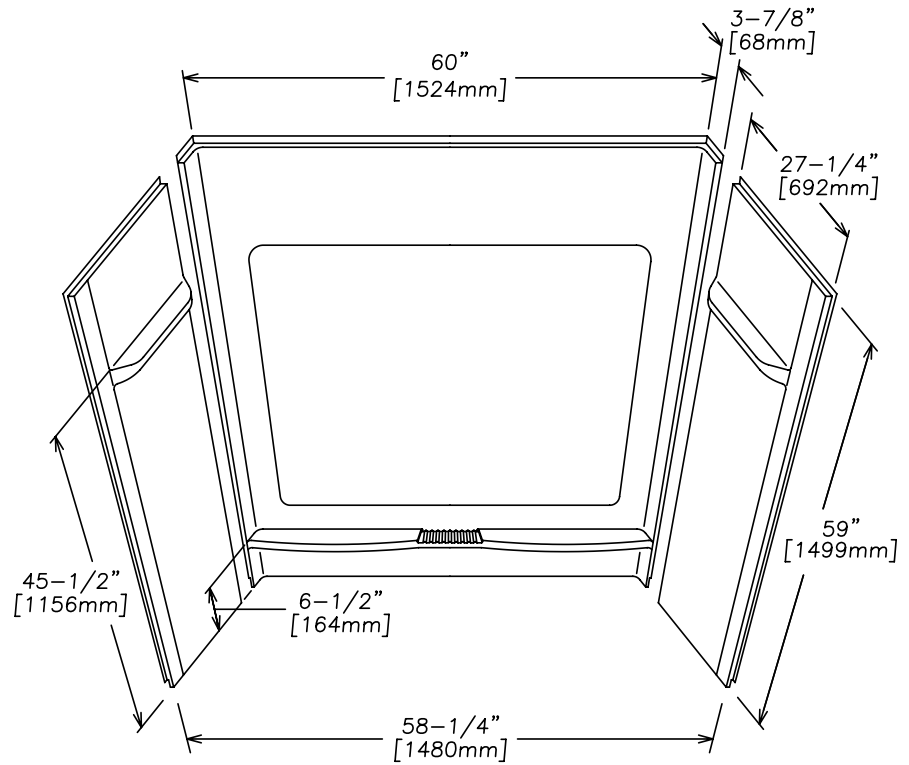
Specifications

Dimensions: 60" x 32" [1524 mm x 813 mm]

Shipping Cubes: 14.0 ft³ [.40 m³]

Shipping Weight: 58 lbs [26 kg]

Warranty: Limited Five Year



Features and Upgrades



Ribbed Wall Supports with 50" [1270 mm] Fire Retardant Foam Insulation [Top to Bottom]



Finished Seam



Rear View of "New" Clip



"Quick Klip" Panel Locking System

Customer Service United States
41 Cairns Road
Mansfield, OH 44903

Customer Service Canada
15 Crane Ave.
Stratford, ON N5A 6T3

Email: customerservice@craneplumbing.com Email: sales@craneplumbing.ca

www.cranep plumbing.com